



STANDARD Sliding Patio Screen Door

Optional top adjust or patented face adjust roller

1 5/8" Frame

Aluminum or fiberglass screen mesh

Mated Interior/Exterior Locking Handle

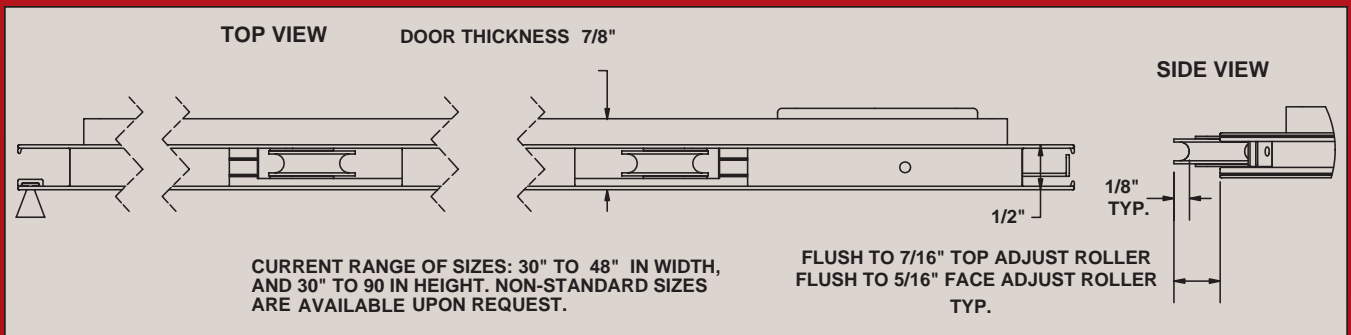
.040" thick aluminum extrusion



EXTERIOR



INTERIOR



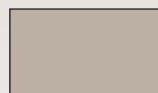
FEATURES:

- 1 5/8" wide .040 thick extruded aluminum frame with tough polyester painted finish
- Mitered corners with internal corner key screwed in securely
- Insect screening splined into frame
- Fiberglass insect screening is standard
- Aluminum insect screening is optional
- Black mated inside and outside handles complete with integral slide lock
- Strike and mounting screws included
- Optional top adjust or patented face adjust rollers
- Polypropylene pile bug seal

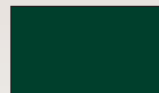
BENEFITS:

- Robust long life frame resists weathering effects and abuse
- Tight miter corner joints
- Replaceable insect screening
- Tough, resilient, without denting
- Reduces accidental cutting with sharp objects
- Tough weather resistant handle with plated steel lock arm
- Optional latching impedes accidental opening by small children
- Smooth, quiet, easy rolling ball bearing rollers, provides adjustment to allow for out of square or bowed frame members, and anti-jump resistant feature from sill track. Face adjust roller has a retracted shipping position to assist in installation. No fasteners to inhibit easy field replacement.
- Durable, resists weathering effects

BASIC COLOR CHOICES (Additional colors available upon request)



Desert Sand #082



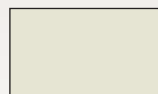
Green #021



Red #028



White #038



French Vanilla #017



Bronze #005



HOMESHIELD

311 W. Coleman St.
Rice Lake, Wisconsin 54868
PHONE **715-234-9061**
FAX **715-234-9061**
www.home-shield.com

Homesield Locations:

