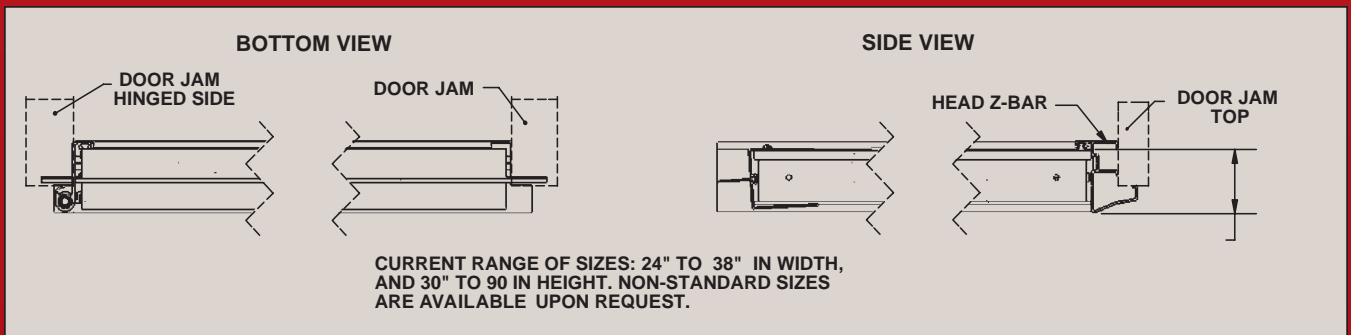
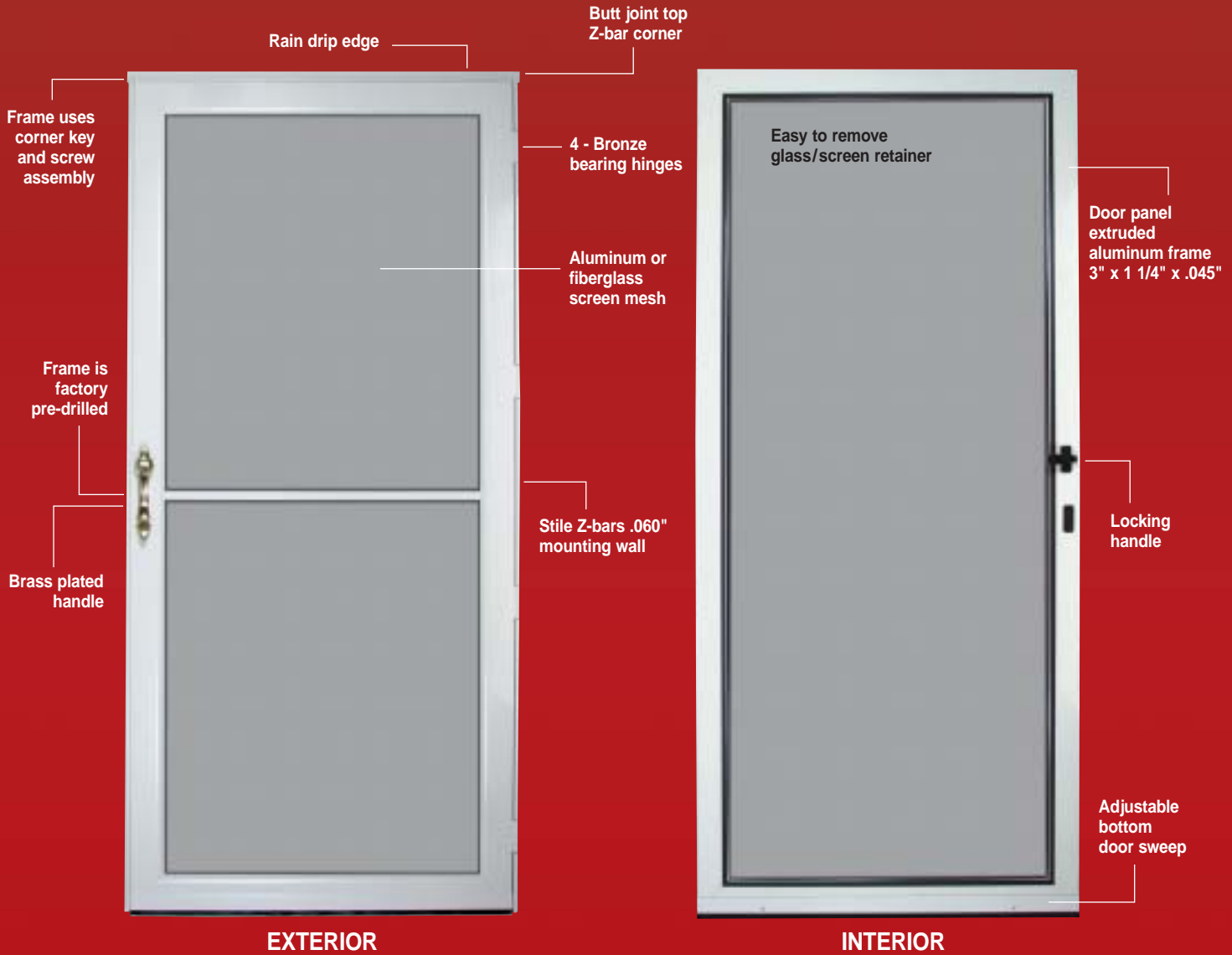




PREMIUM Hinged Patio Screen Door



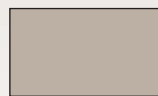
FEATURES:

- Large frame 1 1/4" x 3"
- Removable insect screen panel
With cross brace
3/8" x 3/4"
- Optional glass panel
- Press-in panel retainer strip
For panels
- Pile seal for panels
- Butt joint top Z-bar corner
- Screw assembly of frame corners
- Four hinges with bronze bushings
- Fiberglass insect screening
- Aluminum insect screening option
- Brass plated outside handle
- Stile Z-bars (Hinge Stile Z-bar
assembled to door frame)
- Inside self locking handle
- Adjustable bottom expander
- Screen door closer
- Custom sizes and colors available
- Available types:
Single entry
French double unit with Astragal

BENEFITS:

- Robust, long-life frame
- Interchangeable with optional glass
Provide stability near latch handle
- Full view
Added insulation value for winter season
- Full perimeter lock-in strip covers clearance
Gaps between panel and frame
- Reduced panel rattle
Reduced air flow around glass panel
- Easier alignment of Z-bar corners
- Tight corner joints
- Easy operation without lubrication or noise
- Tough, resilient, without denting
- Reduce cutting with sharp objects
- Attractive, elegant finish
- Reduced installation time
Pre-drilled mounting holes
Clean continuous look with integral hinges
Heavy walls for screw mounting
- Black powder coat painted
- Up to 15/16" adjustment
Color matched to door frame
- Included in hardware kit
- Left hand and right hand options
Mounted in field for left or right hand
active door installation
Self locking slide bolt locks at head and sill

BASIC COLOR CHOICES (Additional colors available upon request)



Desert Sand #082



Green #021



Red #028



White #038



French Vanilla #017



Bronze #005



HOMESHIELD

311 W. Coleman St.
Rice Lake, Wisconsin 54868
PHONE **715-234-9061**
FAX **715-234-9061**
www.home-shield.com

Homesield Locations:

